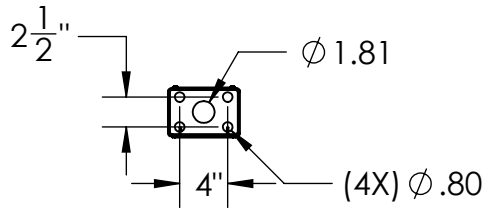


NOTES:  
1. MOUNTS AN AIPHONE GT-DMB UNIT IN A 304 SS TOWER, BRUSHED #4 FINISH.

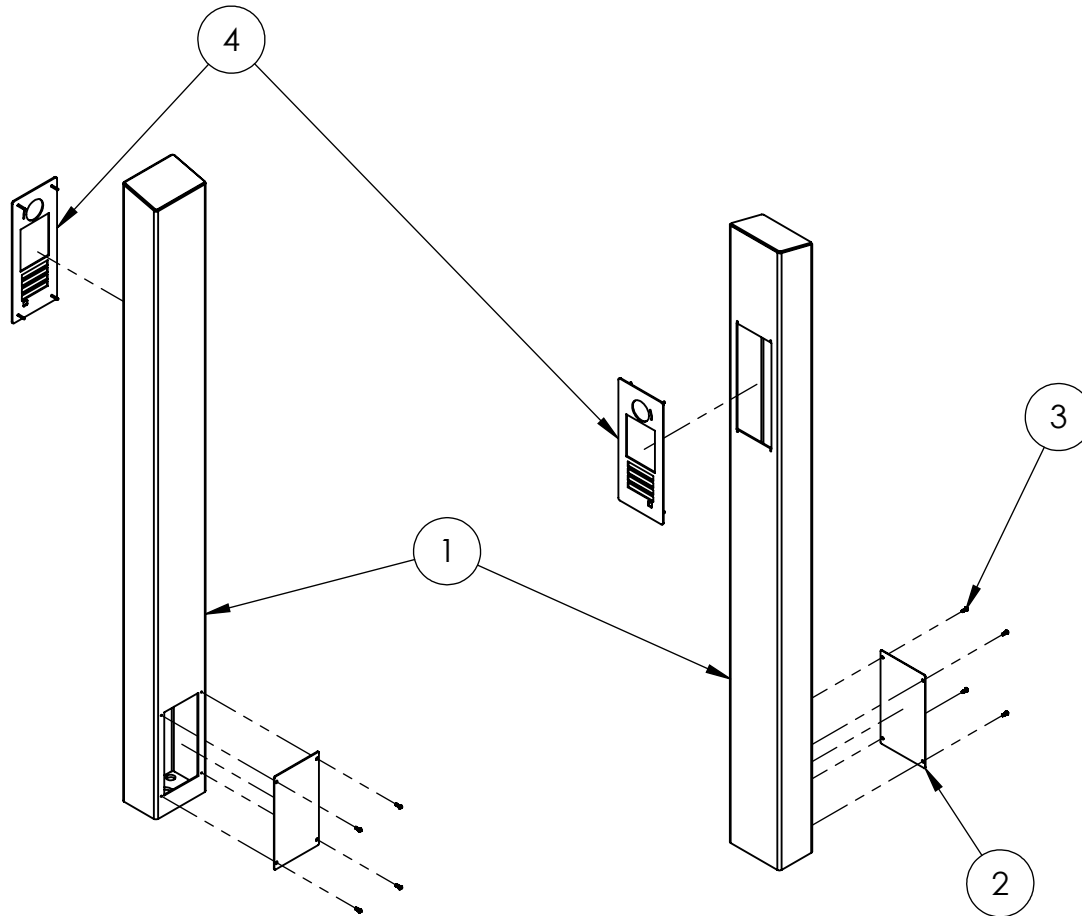


UNLESS OTHERWISE SPECIFIED:  
DIMENSIONS ARE IN INCHES  
TOLERANCES:  
FRACTIONAL ± 1/32  
ANGULAR: ± 2°  
TWO PLACE DECIMAL ± 0.010  
THREE PLACE DECIMAL ± 0.005  
INTERPRET GEOMETRIC TOLERANCING PER: ASME Y14.5 -2009

NAME	DATE
DRAWN	
CHECKED	

TITLE: <b>INSTALLATION</b>		SIZE <b>A</b>	PART NO. 64TOW-AIP-002-304	REV <b>0</b>
WEIGHT:		NO SCALE		SHEET 1 OF 5

ITEM NO.	PART NUMBER	DESCRIPTION	QTY.
1	TOWER	304 SS BODY WELDMENT	1
2	6X4 ADA ACCESS COVER	304 SS COVER PLATES	1
3	--	8-32 SS SCREWS	4
4	FACE PLATE(AIPHONE)	BY AIPHONE	1



NOTES:  
1. FACE PLATE BY AIPHONE MOUNTS TO THE FRONT OF THE TOWER WITH THREADED STUDS.

UNLESS OTHERWISE SPECIFIED:

DIMENSIONS ARE IN INCHES  
TOLERANCES:  
FRACTIONAL  $\pm 1/32$   
ANGULAR:  $\pm 2^\circ$   
TWO PLACE DECIMAL  $\pm 0.010$   
THREE PLACE DECIMAL  $\pm 0.005$

INTERPRET GEOMETRIC  
TOLERANCING PER:  
ASME Y14.5 -2009

	NAME	DATE
DRAWN		
CHECKED		

TITLE:

64TOW-AIP-002-304

WEIGHT:	SIZE <b>A</b>	PART NO. ASSEMBLY	REV <b>0</b>
	NO SCALE	SHEET 2 OF 5	